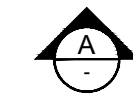
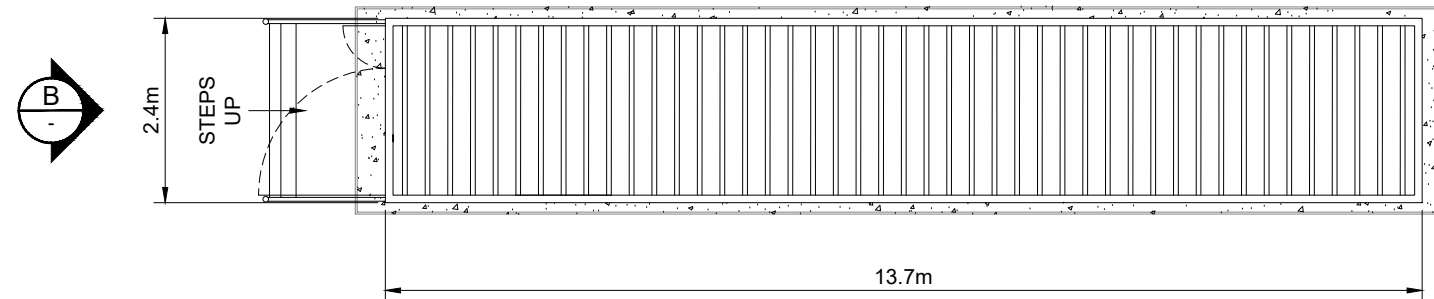
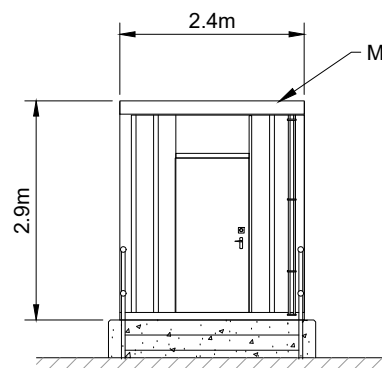


NOTES:

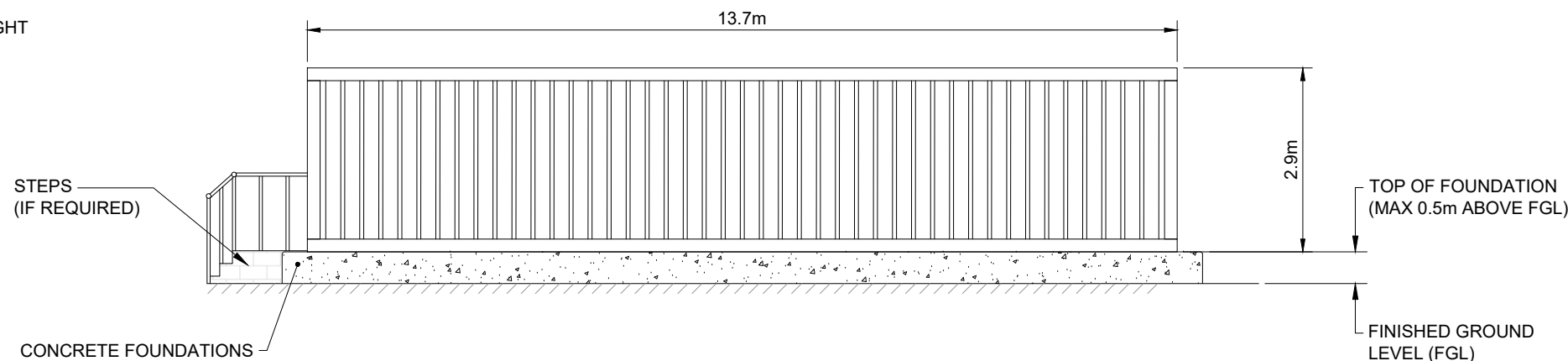
1. ALL DIMENSIONS ARE IN METRES UNLESS OTHERWISE STATED.
2. FOUNDATIONS ARE INDICATIVE ONLY AND SUBJECT TO DETAILED DESIGN.



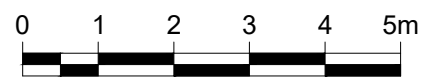
PLAN
SCALE 1:100



ELEVATION B
SCALE 1:100



ELEVATION A
SCALE 1:100



SCALE 1:100

1	BM	DC	JF	2023-02-22	FIRST ISSUE
ISSUE	DRAWN	CHKD	APPD	DATE	REVISION NOTES
PURPOSE					COORDINATES
PLANNING					N/A
SCALE				DATE	DATUM
1:100 @A3					N/A
LAYOUT DRAWING					T-LAYOUT NO
N/A					N/A
PROJECT TITLE					
HOLMSTON FARM					

DRAWING TITLE	
SPARES STORAGE CONTAINER	

RES DRAWING NUMBER	REV
04874-RES-SUB-DR-PT-003	1

THIS DRAWING IS THE PROPERTY OF RENEWABLE ENERGY SYSTEMS LIMITED AND NO REPRODUCTION MAY BE MADE IN WHOLE OR IN PART WITHOUT PERMISSION



BEAUFORT COURT,
EGG FARM LANE,
KINGS LANGLEY,
HERTS WD4 8LR, UK
TEL +44 (0) 1923 299200
WWW.RES-GROUP.COM